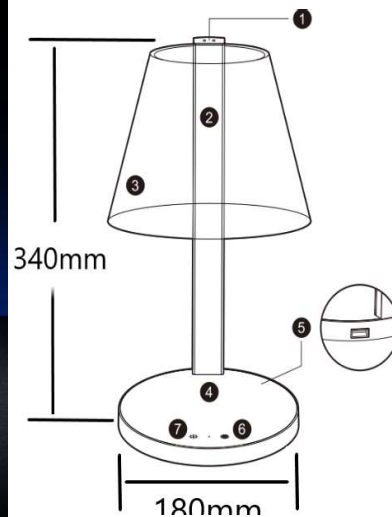


# KONG

## 3D TABLE LAMP



1. infrared ON/OFF
2. Led Light
3. Lamp Shade
4. Wireless Charging Pad
5. USB charging port
6. Color Temp. Adj.
7. Brightness Adj.

### KONG

Code	Codice	Color	Colore	W	lm	IP
FR900003211		White	Bianco	7	340/430	20
FR900003111		Black	Nero	7	340/430	20

Product complete with charging cable and USB port  
Prodotto completo di presa di ricarica e porta USB

(\*) Adjustable colour temperature 2700/5000 K and intensity 1% - 100%  
(\*) Temperatura di colore regolabile 2700/5000 K e intensita' dimmerabile 1% - 100%

V	Hz	PF	Insulation Class	Classe di isolamento		
100-240	50-60	-	⊕			
LED Type	Tipo di LED	°K	CRI	Beam Angle	Apertura fascio lum.	IK
SMD		2700/5000 (*)	≥ 80	-		06
Operating temp.	Temp. esercizio	Therm.test °C	Test termico °C	CE		
0 / +35° C		/		CE		

Tempered glass diffuser and aluminium housing  
Diffusore in vetro temperato e corpo in alluminio

High brightness SMD led  
Led SMD ad alta luminosità

High energy efficiency  
Alta efficienza energetica

High performance heatsink  
Dissipatore ad alto rendimento

Lamp included  
Lampada inclusa

Driver included  
Driver incluso

Led life 25,000 H  
Durata led 25,000 H

Carton	Imballo
Dimensions mm	Dimensioni mm
Pieces	Numero pezzi
Volume m <sup>3</sup>	Volume m <sup>3</sup>
Gross Weight kg	Peso lordo kg
Net Weight kg	Peso netto kg